


## DESCRIPTION

- ADA compliant operation
- Metal and brass construction with various finishes identified by suffix

## OPERATION

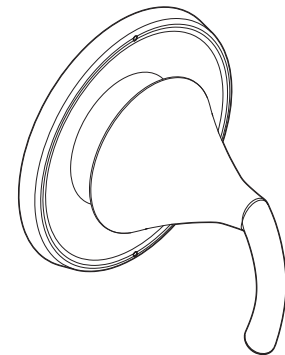
- Lever style handle
- Detents at each flow position
- Rotary 180° handle operation

## STANDARDS

- Third party certified to meet ASME A112.18/CSA B125.1 and all applicable requirements therein
- **ADA**  for lever handle

## WARRANTY

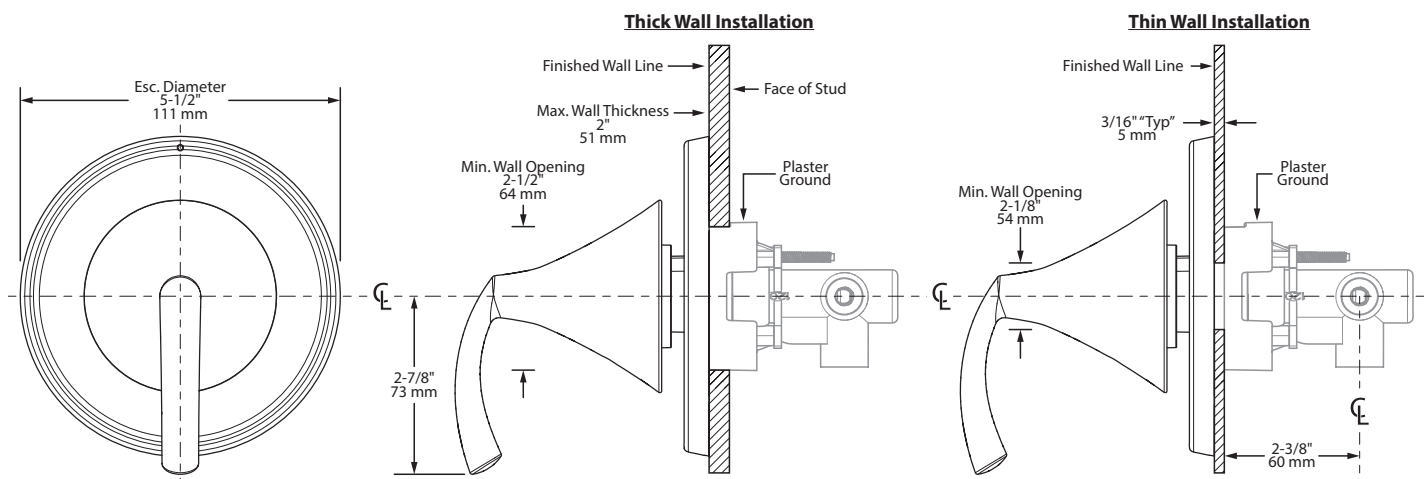
- Lifetime limited warranty against leaks, drips and finish defects to the original homeowner
  - 10 year limited warranty when used in a multifamily installation
  - 5 year limited warranty when used in a commercial installation
- Visit [www.moen.com/support](http://www.moen.com/support) for complete details and limitations



**Glyde™**  
**Two/Three-Function**  
**Transfer Valve Trim Kit**

**Model:** T2721 series

**Valve:** 3372 or 3375



## CRITICAL DIMENSIONS

(DO NOT SCALE)